

Roof Mounting Your Solar Energy System



The Roof Is Ideal

All solar energy systems need sunlight, and the roof is the obvious place to mount solar panels. Not only is the roof sunny, it's also easy to connect panels to the house electrical or plumbing system.

But the roof is also very exposed, so the mounting must be unaffected by high winds and immune to corrosion. It should be safe and sturdy, without requiring many roof penetrations.

Making It Easy To Be Strong

We've developed a mounting system especially designed for residential roofs, called SolarEZ. Careful engineering makes it extremely strong as well as quick to install. It minimizes roof penetrations, and helps the installer make your system virtually weather-proof.



SolarEZ rails minimize roof penetrations.

Built-in Safety

Most metal structures are held together only by the friction of the threads in the bolts. But extremes of temperature and weather can cause bolts to work loose. That's why we designed SolarEZ to have an extra margin of safety, with "form lock." The pieces are shaped so that they intrinsically hold together, even if a bolt works loose. In fact, our bolts have form lock too, so it's extremely unlikely that they can ever loosen. Once they're in, they're in to stay. You get a double margin of safety.



SolarEZ fits composite shingle roofs.



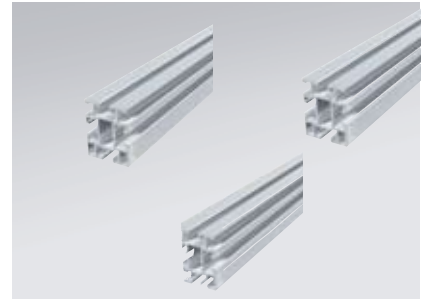
SolarEZ fits tile roofs.

Any Roof, Any Region

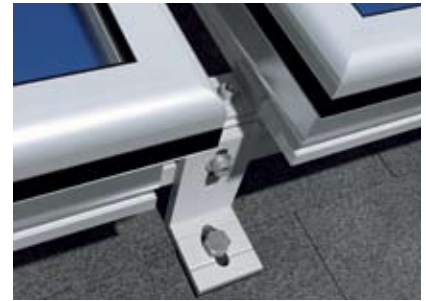
The USA is a big country, with very different climates and house styles. With that in mind, we designed SolarEZ to fit shingle, S-tile, and mission tile roofs. The rails come in different cross-sections for different climates. All components are aluminum or stainless steel for long life.

Right for You

Each install is a unique combination of system size, roof shape, north-south orientation, nearby trees, and other factors. Your installer will take all of these into account when making recommendations. Whatever you decide to do, the SolarEZ mounting system is easy for the installer to customize for your exact situation.



ezRails come in three different cross-sections for different weather conditions. Each is designed to require the minimum number of roof penetrations.



The SolarEZ mounting system gives the installer everything needed for a safe, secure roof install.

Schüco USA L.P.
schuco-usa.com

